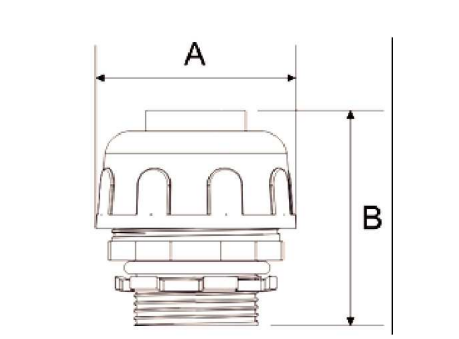
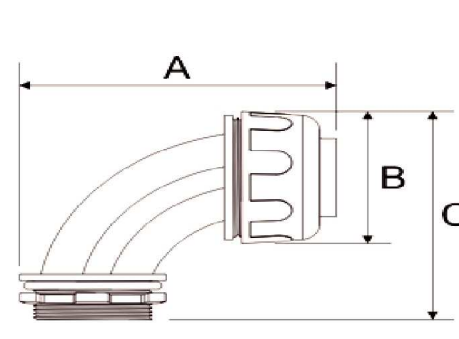


PVC Liquid-Tight Fittings Resist Corrosion, Gasoline, Alcohol, Oil & Grease • Nonmetallic Connectors are UV Resistant • Available in Straight or 90 Degree Configurations • Both Styles Available in Sizes 3/8" to 2" • Steel Lock Nuts Included



## SPECIFICATIONS AND PACKAGING

CUSTOMER ITEM#	SPEC.	UNIT WEIGHT (LB)	NUMBER OF OUTER CARTON		A(in.)	B(in.)	Cin.)
NMLT 180-38	3/8"	0.013	100		1.44	2.03	n/a
NMLT 180-50	1/2"	0.012	100		1.44	2.15	n/a
NMLT 180-75	3/4"	0.017	100		1.71	2.19	n/a
NMLT 180-100	1"	0.024	50		2.01	2.22	n/a
NMLT 180-125	1 1/4"	0.035	50		2.36	2.44	n/a
NMLT 180-150	1 1/2"	0.048	50		2.68	2.68	n/a
NMLT 180-200	2"	0.077	20		3.31	2.97	n/a
NMLT 90-38	3/8"	0.021	100		3.07	1.46	2.05
NMLT 90-50	1/2"	0.013	100		3.07	1.46	2.05
NMLT 90-75	3/4"	0.019	100		3.50	1.69	2.44
NMLT 90-100	1"	0.029	50		4.11	1.99	2.83
NMLT 90-125	1 1/4"	0.050	20		4.72	2.36	4.13
NMLT 90-150	1 1/2"	0.062	20		5.02	2.68	4.33
NMLT 90-200	2"	0.108	10		5.91	3.31	5.04

**QUALITY IS NEVER AN ACCIDENT; IT IS ALWAYS THE RESULT OF HIGH INTENTION, SINCERE EFFORT, INTELLIGENT DIRECTION AND SKILLFUL EXECUTION.**

